

60 MC-60/4A

Market-com station



MC-60/4A
Market-Com station

Market-com adaptor



MC-A/A
Zone page adaptor

Lineup

Paging speaker
w/built-in transformer
(locally available)

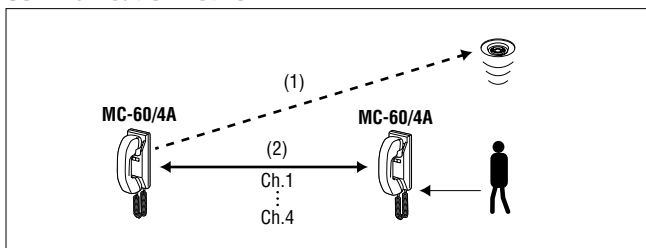
Power supply

PS-2420S PS-2420UL PS-2420BF
PS-2420DM PS-2420-O → P.137

Features

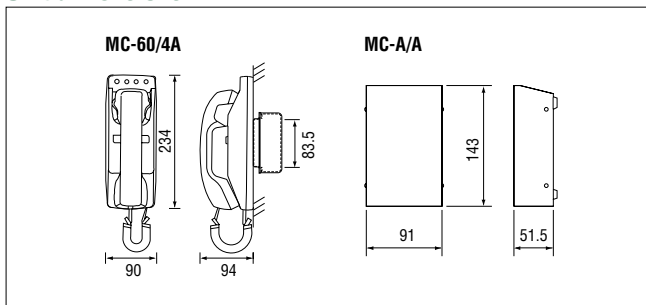
- Max. 60-station paging & communication system
- Selective 4 talk channels with in-use LED's
- Conference call among 3 stations
- Music cutout during paging
- Reinforced modular coil cord

Communication network



(1) Paging (2) Select a channel 1~4 paged, and communicate.

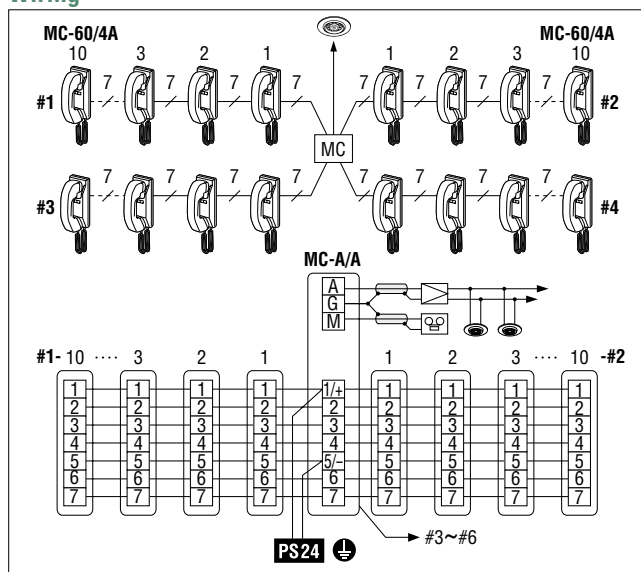
Unit dimensions



Specifications (MC-A/A)

Power source	24V DC, supplied by PS-2420S, PS-2420UL, PS-2420BF, PS-2420DM, PS-2420-O
Amp. input	AUX 10KΩ, 0.3V~0.5V
Music source output	Range 100mV~1.2V, 10KΩ or less

Wiring



Station blocks #1~6 of max. ten MC-60/4A's

PS24 : PS-2420S, PS-2420UL, PS-2420BF, PS-2420DM, PS-2420-O

Specifications (MC-60/4A)

Power source	24V DC, 70mA max. (in page).
Power supply	PS-2420S, PS-2420UL, PS-2420BF, PS-2420DM, PS-2420-O at MC-A/A.
Communication	Pick up and depress channel selector 1~4 and page w/PAGE button. Called party picks up and presses lit LED channel button.
Talk channel	4 and a separate paging channel.
Wiring	7 wires in loop, non-twisted.
Cable specified	Line capacitance less than 25pF/30cm.
Wiring distance	MC-A/A to MC-60/4A(*) 500m(0.65mmø) 750m(0.8mmø) Total wiring distance 1500m(0.65mmø, 0.8mmø)

(*) MC-A/A to farthest MC-60/4A, or between two farthest MC-60/4A's of different blocks.