

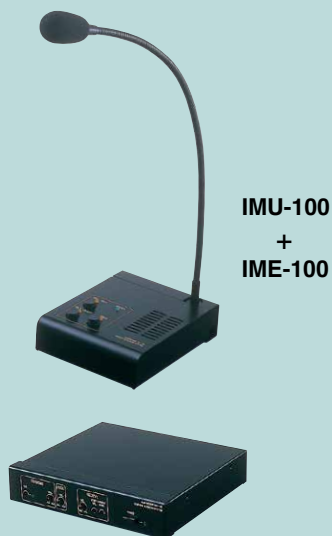
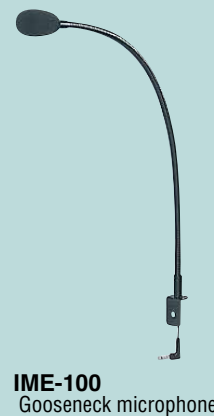
## Security Window Intercom

SERVICE SIDE

PUBLIC SIDE

# 1 1 IMU-100

Service Side

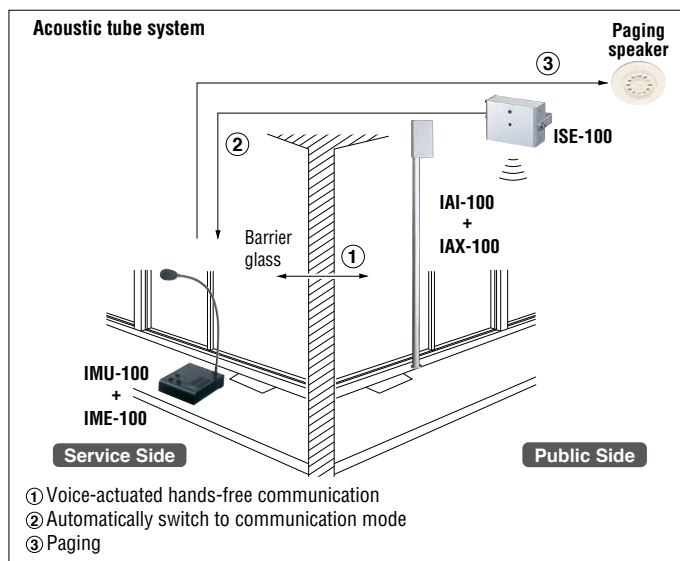
IMU-100  
Main kit

Power supply PS-2420S PS-2420UL PS-2420BF PS-2420DM PS-2420-O → P.137

## Features

- First in industry! Uses an acoustic tube with noise cancelling microphone
- Voice-actuated hands-free communication
- Flexible gooseneck type microphone
- Optional Mono type headset (3.5mm plug)
- Detection sensor switches automatically to communication mode
- Paging feature for announcements
- Thin shape of the acoustic tube does not obstruct the field of vision
- Holes in the barrier glass are not necessary for installation

## Communication network



LE

DB

AT

YAZ

TD

IMU

TC

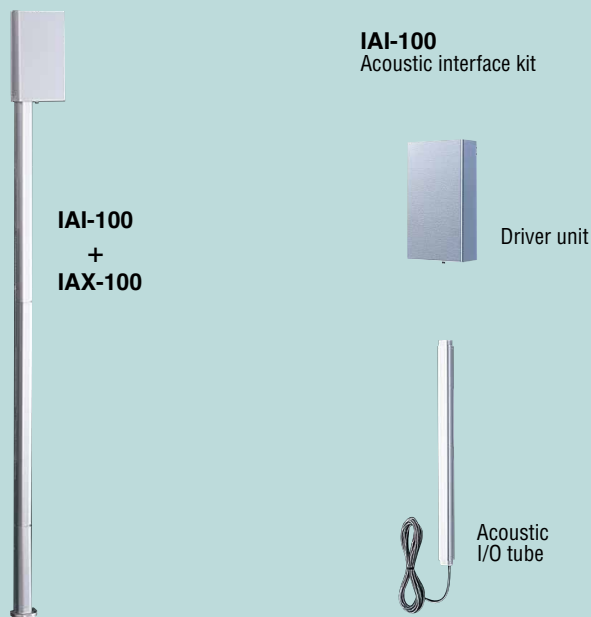
MC

NIM

NHX

Public Side

Acoustic tube system



Lineup

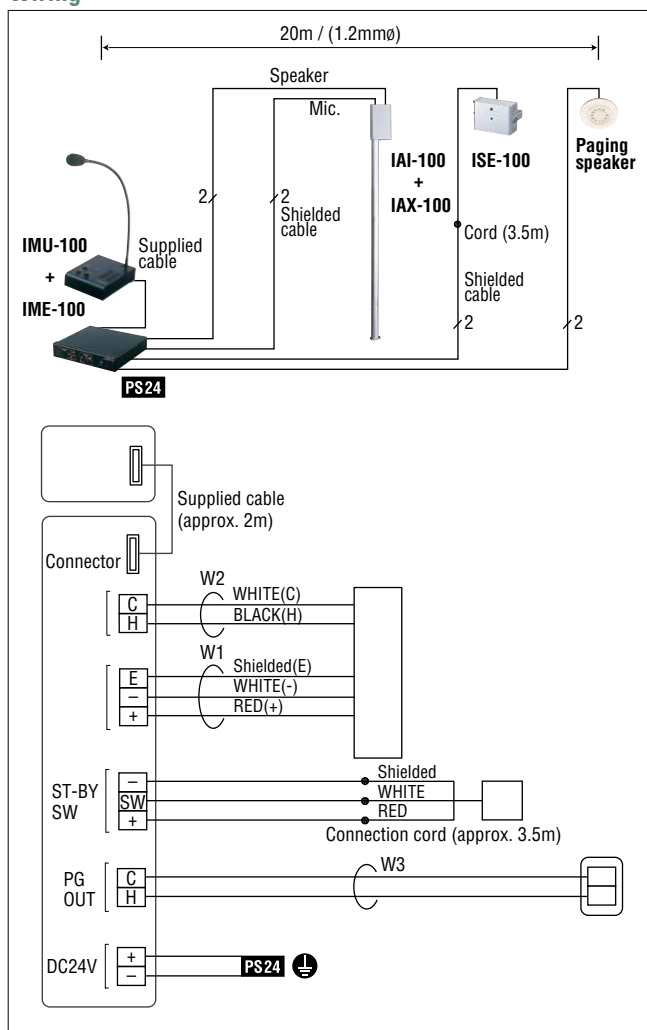


ISE-100 Sensor



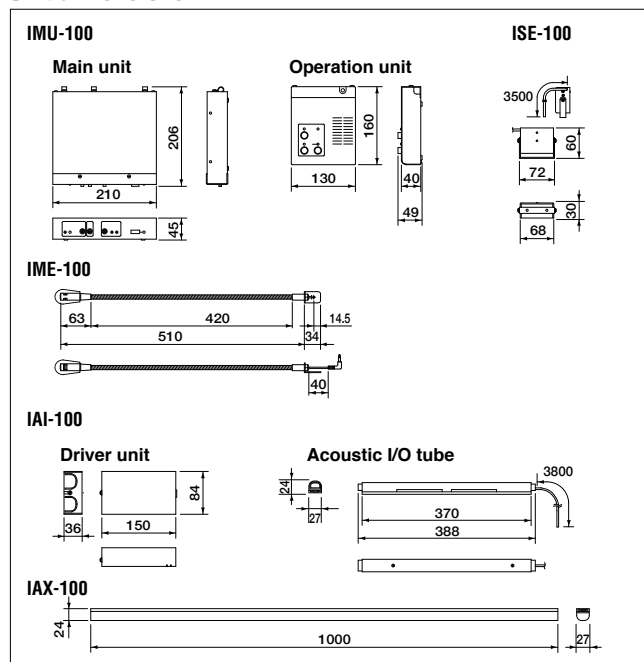
Paging speaker (locally available)

Wiring



PS24 : PS-2420S, PS-2420UL, PS-2420BF, PS-2420DM, PS-2420-O

Unit dimensions



Specifications (IMU-100)

Power source	24V DC
Power supply	PS-2420S, PS-2420UL, PS-2420BF, PS-2420DM, PS-2420-O
Consumption	120 mA (standby) 780 mA (maximum)
Operating temperature	0°C to 40°C
Communication	Voice-actuated communication
Headset	Transmit output: 3 W 4 Ω, Receive output: 1.5 W 16 Ω 3.5mm plug, Impedance: 32 Ω, Rated input: 40 mW or more, Maximum input: 100 mW or more
External speaker	Impedance: 4 to 8 Ω, Rated input: 3 W or more Maximum input: 6 W or more
Paging speaker	Impedance: 4 to 8 Ω, Rated input: 3 W or more Maximum input: 6 W or more